

The Scala CA2 is a ruggedly built, dipole reflector antenna, designed for professional VHF-TV transmit and receive applications.

Like all Scala antennas, the CA2 is made of the finest materials using state of the art electrical and mechanical designs resulting in superior performance and long service life.

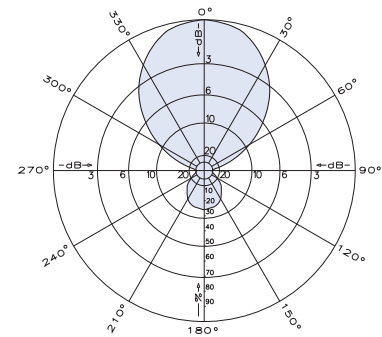
The CA2 may be used stand alone or in stacked arrays for higher gain, increased side-lobe suppression, or custom azimuth patterns.



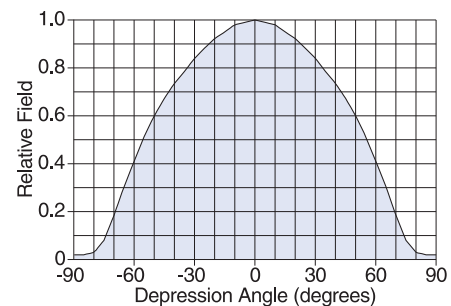
Specifications

| | |
|--------------------------------|---|
| Frequency range | 54 to 216 MHz (any specified VHF-TV channel 2—13) |
| Gain | 4 dBd |
| Power gain | 2.51 |
| Impedance | 50 ohms |
| VSWR | <1.5:1 |
| Polarization | Horizontal |
| Front-to-back ratio | >11 dB |
| Maximum input power | 500 watts (Channels 2 thru 6) 250 watts (Channels 7 thru 13) |
| H-plane beamwidth | 80 degrees (half-power) |
| E-plane beamwidth | 72 degrees (half-power) |
| Connector | N female |
| Weight | 14 lb (6.4 kg) |
| Dimensions | 48.5 x 112.3 inches maximum (1232 x 2852 mm) |
| Wind load at 100 mph (161 kph) | |
| Front | 65 lbf (288 N) |
| Wind survival rating* | 120 mph (193 kph) |
| Shipping dimensions | 110 x 6 x 5 inches maximum (2794 x 152 x 127mm) |
| Shipping weight | 17 lb (7.7 kg) |
| Mounting | For masts of 2.375 inch (60 mm) OD. |

*Mechanical design is based on environmental conditions as stipulated in TIA-222-G-2 (December 2009) and/or ETS 300 019-1-4 which include the static mechanical load imposed on an antenna by wind at maximum velocity. Contact KBU for further details.



Azimuth pattern (E-plane)



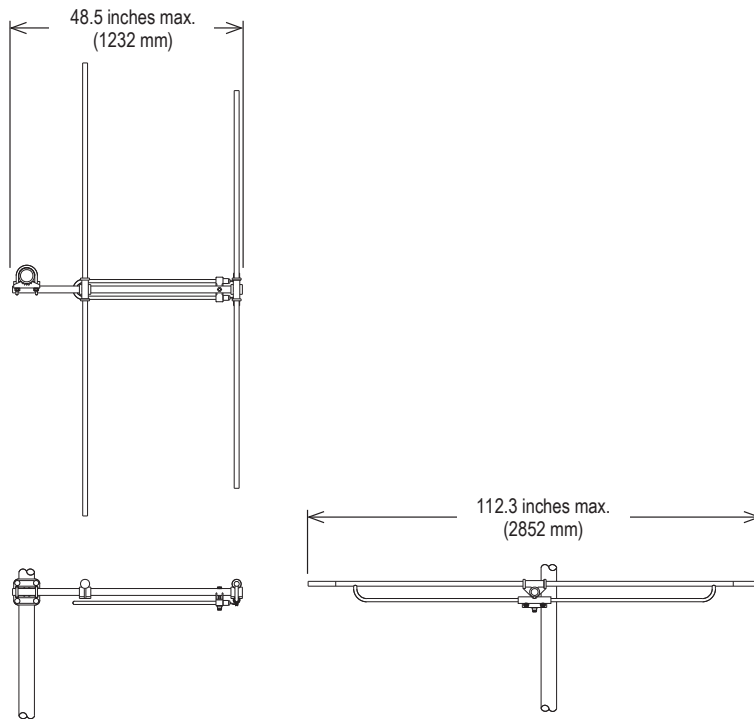
Elevation pattern (H-plane)



A Kathrein Broadcast Brand

CA2

VHF-TV Dipole Reflector Antenna 54 to 216 MHz (Channels 2—13)



30069b subject to alteration

All specifications are subject to change without notice.
The latest specifications are available at www.kathrein-bca.com

Kathrein Broadcast USA 8337 11th Street, White City, OR 97503
Phone: 541-879-2300 Email: support-usa@kathrein-bca.com