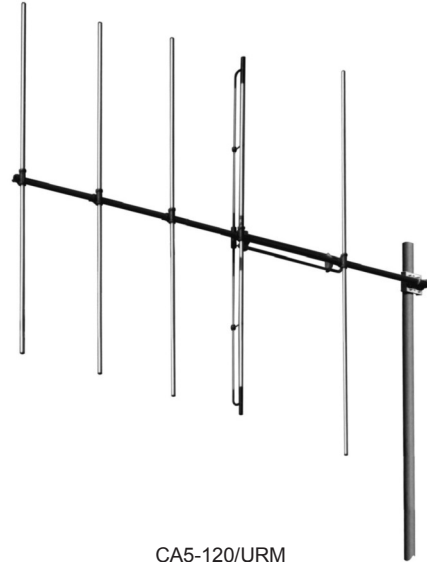


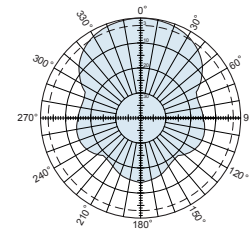
The Scala CA5-120 five-element yagi antenna is intended for use in professional fixed-station applications in the 108—144 MHz band. It features:

- Balanced driven elements for superior performance in icing conditions.
- Sealed balun, no capacitors.
- Heavy wall anodized aluminum pipe and tubing.
- Heavy cast aluminum and stainless steel hardware.
- Center or rear-mount versions available.
- Dual and quad arrays available.
- Entire antenna at DC ground potential.

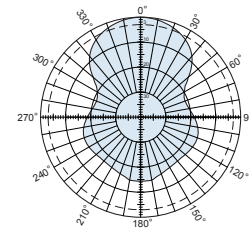


CA5-120/URM  
(Shown vertically polarized)

Specifications	
Frequency range	108—144 MHz (specify frequency)
Gain	9 dBd (11.15 dBi)
Impedance	50 ohms
VSWR	<1.5:1
Polarization	Horizontal or vertical
Front-to-back ratio	>14 dB
Maximum input power	250 watts (at 50°C)
H-plane beamwidth	68 degrees (half-power)
E-plane beamwidth	50 degrees (half-power)
Connector	N female
Weight	13 lb (5.9 kg) (maximum)
Dimensions	64.6 x 55.8 inches (maximum)(1641 x 1417 mm)
Wind survival rating*	120 mph (193 kph)
Shipping dimensions	70 x 6 x 5 inches (maximum) (1778 x 152 x 127 mm)
Shipping weight	13 lb (5.9 kg)
Mounting	For masts of 2.375 inches (60mm) OD.
	CA5-120/HCM Horizontal center-mount
	CA5-120/URM Horizontal or vertical rear-mount

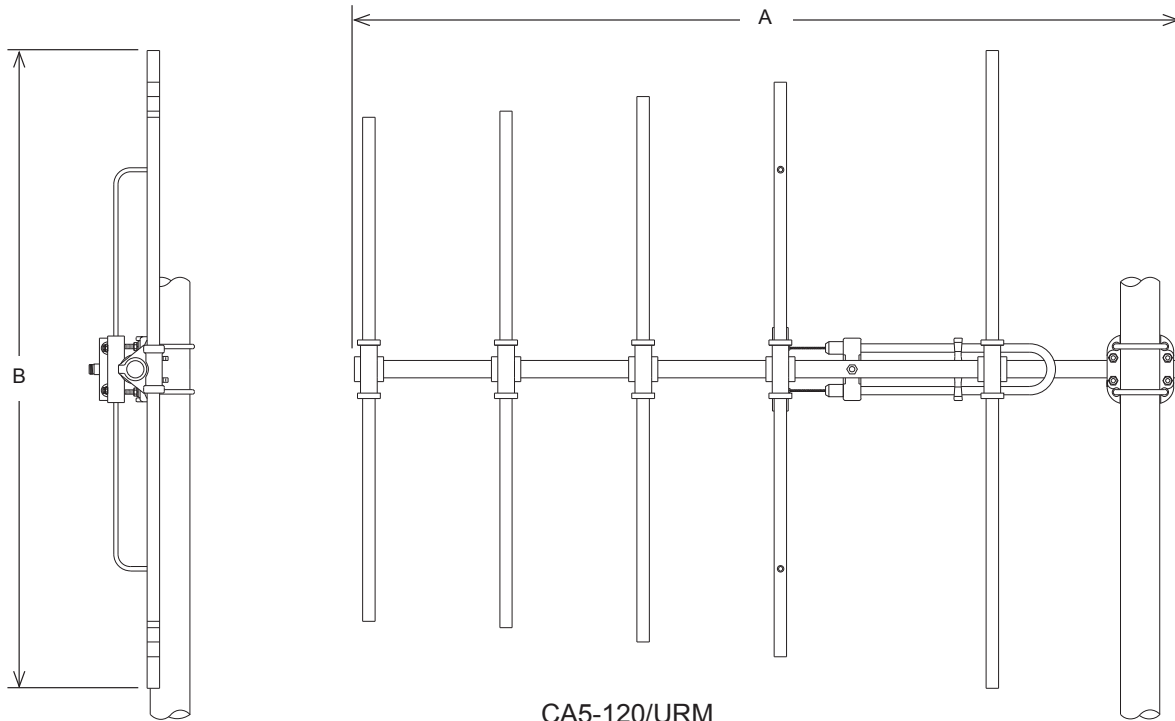


H-plane  
Horizontal pattern — V-polarization  
Vertical pattern — H-polarization



E-plane  
Horizontal pattern — H-polarization  
Vertical pattern — V-polarization

\*Mechanical design is based on environmental conditions as stipulated in TIA-222-G-2 (December 2009) and/or ETS 300 019-1-4 which include the static mechanical load imposed on an antenna by wind at maximum velocity. Contact KBU for further details.



CA5-120/URM  
(Shown vertically polarized)

Dimensions		A	B	
Frequency	108 MHz	URM	64.6 inches (1641 mm)	55.8 inches (1417 mm)
		HCM	54.6 inches (1387 mm)	55.8 inches (1417 mm)
	144 MHz	URM	53 inches (1346 mm)	42.6 inches (1082 mm)
		HCM	43 inches (1092 mm)	42.6 inches (1082 mm)

#### Order information

Model	Description
CA5-120/HCM	Horizontal center-mount
CA5-120/URM	Horizontal or vertical rear-mount

30042a subject to alteration