

The Scala CL-1469B is a ruggedly built, linearly polarized log-periodic antenna designed for professional UHF-TV transmit and receive applications.

Like all Scala antennas, the CL-1469B is made of the finest materials using state of the art electrical and mechanical designs resulting in superior performance and long service life. The rugged fiberglass radome protects the antenna from icing and assures stable pattern and gain performance under adverse environmental conditions.

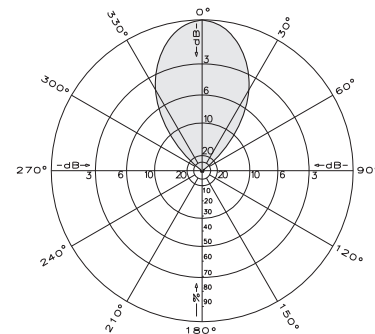
The CL-1469B may be used stand alone or in arrays for higher gain, increased side-lobe suppression, or custom azimuth patterns.



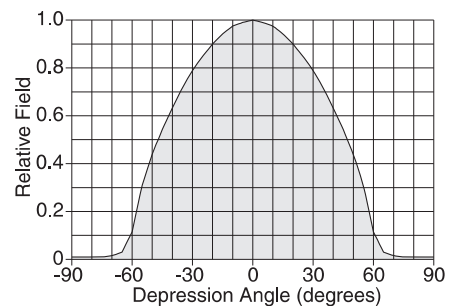
(Shown horizontally polarized)

Specifications	
Frequency range	470—862 MHz (broadband)
Gain	8 dBd
Power gain	6.31
Impedance	50 or 75 ohms
VSWR	<1.5:1
Polarization	Horizontal or vertical
Front-to-back ratio	>35 dB
Maximum input power	100 watts, type "N" 75 ohm connector 250 watts, type "N" 50 ohm connector
H-plane beamwidth	72 degrees (half-power)
E-plane beamwidth	52 degrees (half-power)
Connector	N female (50 or 75 ohms)
Weight	22 lb (10 kg)
Dimensions	29 x 17 x 12 inches (737 x 432 x 305 mm)
Wind load at 93 mph (150 kph)	
Side / Top / Rear	63 lbf / 16 lbf / 37 lbf (280 N) / (71 N) / (165 N)
Wind survival rating*	120 mph (193 kph)
Shipping dimensions	31 x 20 x 14.5 inches (787 x 508 x 368 mm)
Shipping weight	28.0 lb (12.7 kg)
Mounting	Mounting kits available for masts of 2.375 to 4.5 inch (60 to 114 mm) OD.

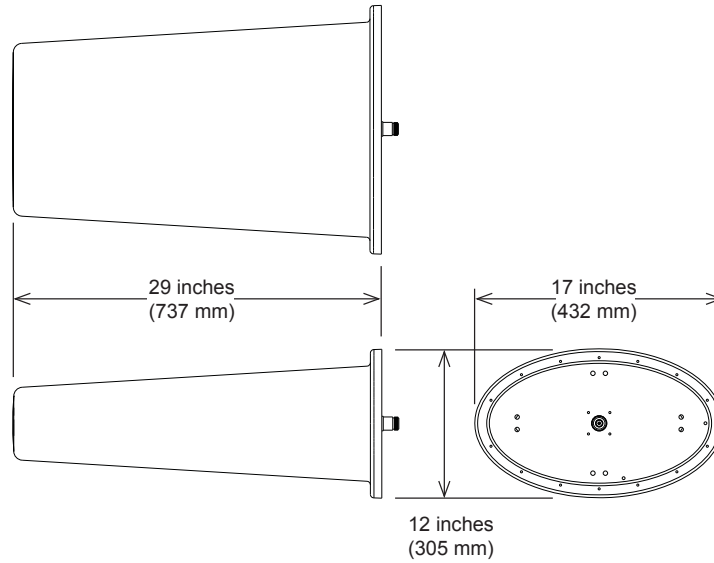
*Mechanical design is based on environmental conditions as stipulated in TIA-222-G-2 (December 2009) and/or ETS 300 019-1-4 which include the static mechanical load imposed on an antenna by wind at maximum velocity. Contact KBU for further details.



Azimuth pattern (E-plane)

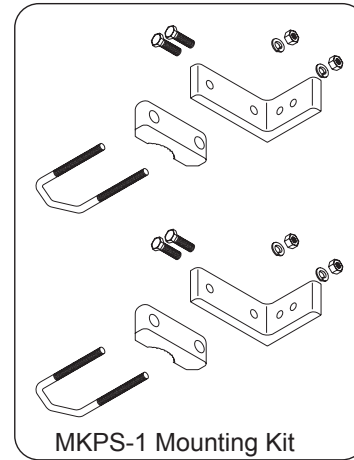


Elevation pattern (H-plane)



Mounting options

Model	Description
MKPS-1 (shown)	Mounting kit for 2.375 inch (60 mm) OD mast
MKPS-2	Mounting kit for 2.875 inch (73 mm) OD mast
MKPS-3	Mounting kit for 3.5 inch (89 mm) OD mast
MKPS-4	Mounting kit for 4 inch (102 mm) OD mast
MKPS-5	Mounting kit for 4.5 inch (114 mm) OD mast



Order information

Model	Description
CL-1469B/50	Antenna with 50 Ω N connector
CL-1469B/75	Antenna with 75 Ω N connector

Note: Requires mounting kit at additional cost (see listing above).

30062 subject to alteration