

The Scala CL6-450B broadband log-periodic antenna is intended for use in professional fixed-station applications in the 400—512 MHz band. It features:

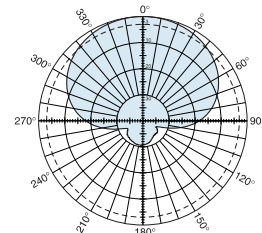
- Heavy duty construction.
- Brass antenna assembly protected by cast aluminum backplate and rugged fiberglass radome.
- Stable operation in severe icing conditions.
- High front-to-back and front-to-side ratios without minor lobes.



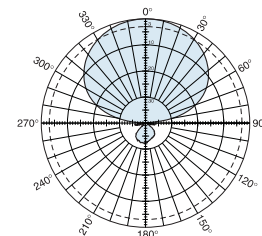
(Shown vertically polarized)

Specifications	
Frequency range	400—512 MHz
Gain	6.5 dBd (8.65 dBi)
Impedance	50 ohms
VSWR	<1.5:1
Polarization	Horizontal or vertical
Front-to-back ratio	>35 dB
Maximum input power	500 watts, (at 50°C)
H-plane beamwidth	86 degrees (half-power)
E-plane beamwidth	60 degrees (half-power)
Connector	N female (50 or 75 ohms)
Weight	22 lb (10 kg)
Dimensions	29 x 17 x 12 inches (737 x 432 x 305 mm)
Wind load at 93 mph (150 kph)	
Side / Top / Rear	63 lbf / 16 lbf / 37 lbf (280 N) / (71 N) / (165 N)
Wind survival rating*	120 mph (193 kph)
Shipping dimensions	31 x 20 x 14.5 inches (787 x 508 x 368 mm)
Shipping weight	28.0 lb (12.7 kg)
Mounting	Mounting kits available for masts of 2.375 to 4.5 inch (60 to 114 mm) OD.

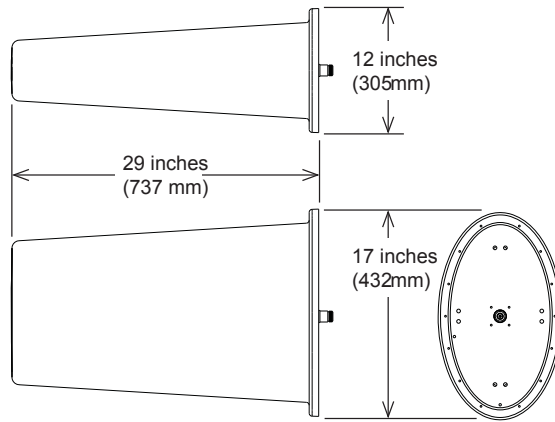
\*Mechanical design is based on environmental conditions as stipulated in TIA-222-G-2 (December 2009) and/or ETS 300 019-1-4 which include the static mechanical load imposed on an antenna by wind at maximum velocity. Contact KBU for further details.



H-plane  
Horizontal pattern — V-polarization  
Vertical pattern — H-polarization

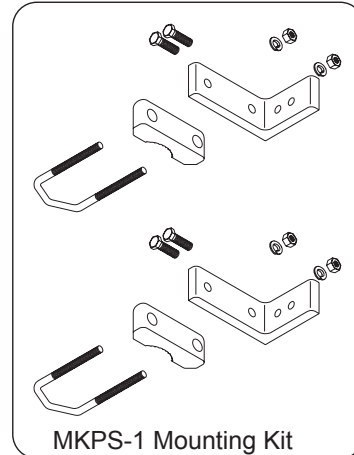


E-plane  
Horizontal pattern — H-polarization  
Vertical pattern — V-polarization



**Mounting options**

Model	Description
MKPS-1 (shown)	Mounting kit for 2.375 inch (60 mm) OD mast
MKPS-2	Mounting kit for 2.875 inch (73 mm) OD mast
MKPS-3	Mounting kit for 3.5 inch (89 mm) OD mast
MKPS-4	Mounting kit for 4 inch (102 mm) OD mast
MKPS-5	Mounting kit for 4.5 inch (114 mm) OD mast



30040 subject to alteration