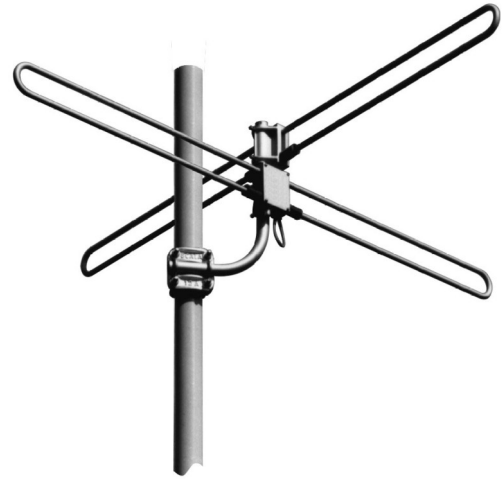


The Scala FMO is a ruggedly built, horizontally polarized FM transmit antenna with an omnidirectional pattern.

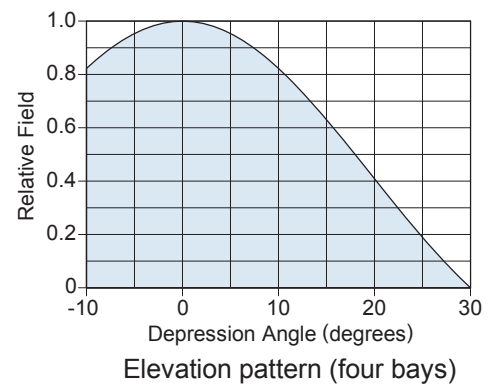
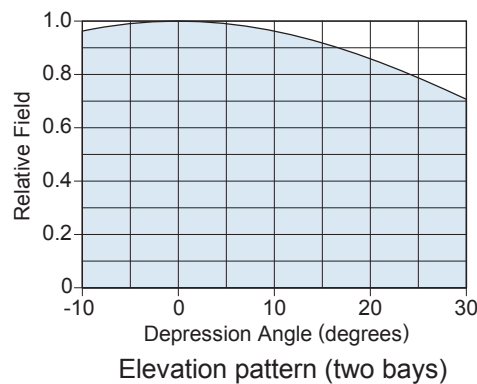
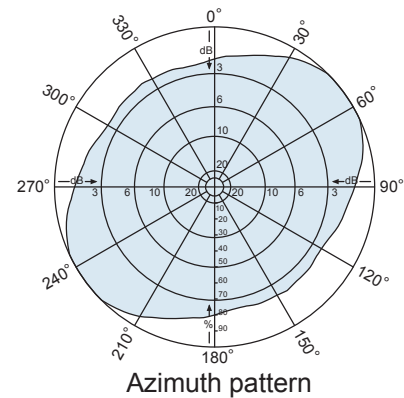
Like all Scala antennas, the FMO is made of the finest materials using state of the art electrical and mechanical designs resulting in superior performance and long service life.

The FMO is available as a single bay antenna or in vertically stacked arrays for additional gain.

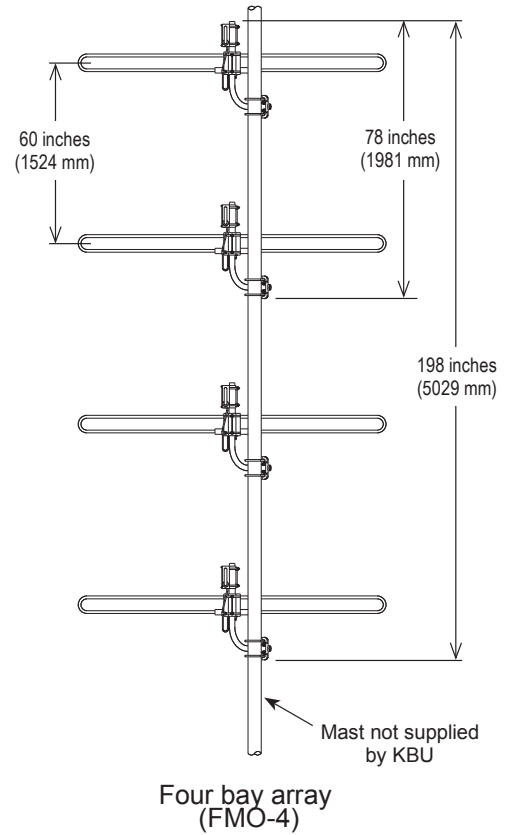
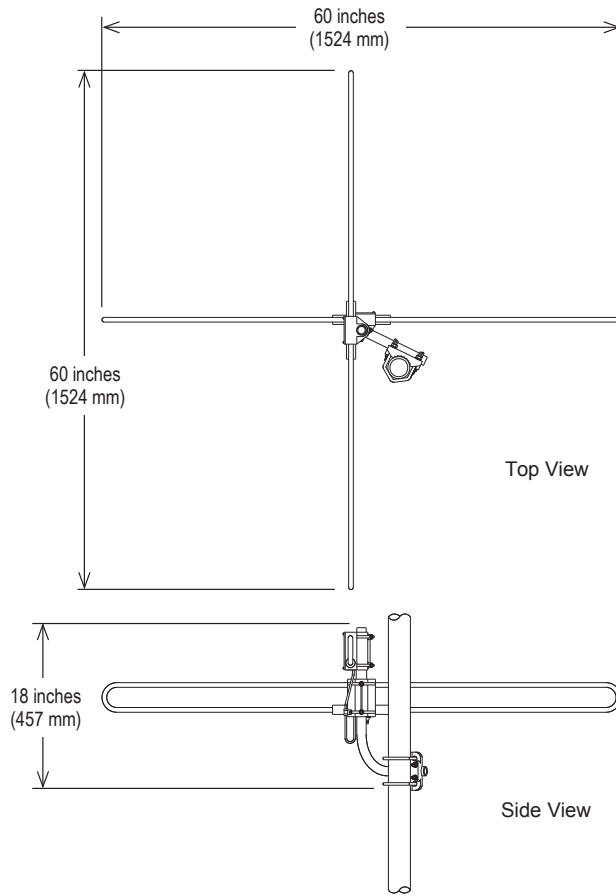


Specifications		
Frequency range	88—108 MHz (broadband)	
Gain	Gain	Power gain
FMO (one bay)	-3 dBd	0.5
FMO-2 (two bays)	0 dBd (1/2 spacing)	1
FMO-4 (four bays)	3 dBd (1/2 spacing)	2
Impedance	50 or 75 ohms	
VSWR	<1.5:1	
Polarization	Horizontal	
Maximum input power (per bay)	100 watts 75 ohm model 500 watts 50 ohm model	
Azimuth pattern	Omni	
Connector	N female (50 or 75 ohms)	
Weight (approx.)		
FMO (one bay)	10 lb (4.5 kg)	
FMO-2 (two bays)	28.5 lb (12.9 kg)	
FMO-4 (four bays)	53 lb (24 kg)	
Height		
FMO (one bay)	18 inches (458 mm)	
FMO-2 (two bays)	78 inches (1981 mm)	
FMO-4 (four bays)	198 inches (5029 mm)	
Wind load at 100 mph (161 kph)		
Front	35 lbf (156 N) per bay	
Wind survival rating*	120 mph (193 kph)	
Mounting	For masts of 2.375 inch (60 mm) OD.	

*Mechanical design is based on environmental conditions as stipulated in TIA-222-G-2 (December 2009) and/or ETS 300 019-1-4 which include the static mechanical load imposed on an antenna by wind at maximum velocity. Contact KBU for further details.



30056a subject to alteration



Order information

Model	Description
FMO/50N	Antenna with 50Ω N connector
FMO/75N	Antenna with 75Ω N connector

30056a subject to alteration