

The Scala GP-FM omnidirectional groundplane antenna is intended for use in professional fixed-station applications in the FM band.

A design with decades of proven reliability.

Anodized 6061-T6 aluminum pipe and rod construction.

Heavy duty aluminum castings.

Easy assembly.

Entire antenna at DC ground potential.

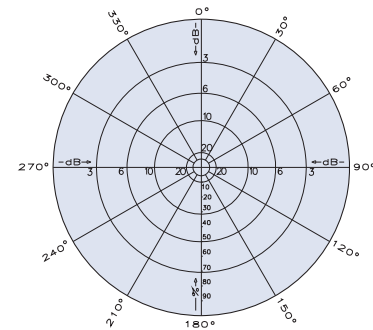
Stainless steel hardware and fastenings.



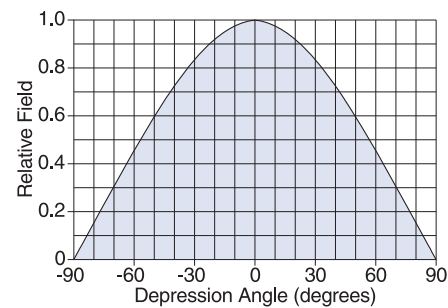
Specifications

Frequency range	Any specified FM channel 88 to 108 MHz
Gain	0 dBd
Power gain	1
Impedance	50 ohms
VSWR	<1.3:1 maximum at fc ±2% <1.5:1 maximum at fc ±5%
Polarization	Vertical
Maximum input power	250 watts (at 50° C)
H-plane beamwidth	Omni
Connector	N female (mates with UG-21/U)
Weight	10 lb (4.5 kg)
Height	61 inches (1549 mm)
Wind load at 100 mph (161 kph)	
Front	26 lbf (116 N)
Wind survival rating*	120 mph (193 kph)
Mounting	For masts of 2.375 inch (60 mm) OD.

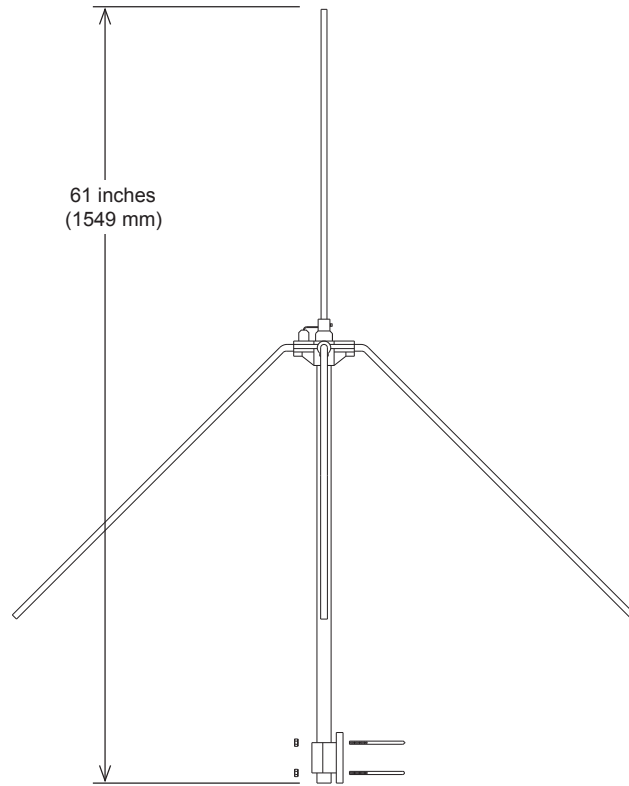
*Mechanical design is based on environmental conditions as stipulated in TIA-222-G-2 (December 2009) and/or ETS 300 019-1-4 which include the static mechanical load imposed on an antenna by wind at maximum velocity. Contact KBU for further details.



H-plane
Horizontal pattern - V-polarization



E-plane
Vertical pattern - V-polarization



30058 subject to alteration