

The Scala HDCA-5 is a ruggedly built yagi antenna, designed for professional VHF-TV transmit and receive applications.

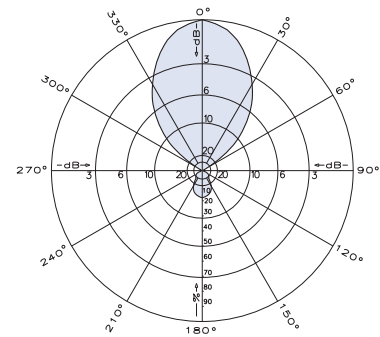
Like all Scala antennas, the HDCA-5 is made of the finest materials using state of the art electrical and mechanical designs resulting in superior performance and long service life.

The HDCA-5 may be used stand alone or in stacked arrays for higher gain, increased side-lobe suppression, or custom azimuth patterns.

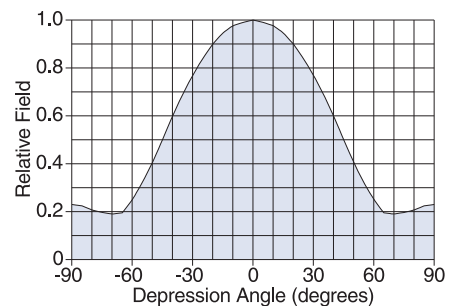


| Specifications                 |   |                                      |      |
|--------------------------------|---|--------------------------------------|------|
| Frequency range                | Any specified VHF-TV channel 54 to 88 MHz           |                                      |      |
| Gain                           | Gain  | Power gain                           |      |
|                                | Channels 2—3  | 6.75 dBd                             | 4.73 |
|                                | Channels 4—6  | 7.5 dBd                              | 5.62 |
| Impedance                      | 75 ohms<br>(50 ohms with optional transformer)      |                                      |      |
| VSWR                           | <1.5:1  |                                      |      |
| Polarization                   | Horizontal  |                                      |      |
| Front-to-back ratio            | >14 dB  |                                      |      |
| Maximum input power            | 250 watts, type "N" 75 ohm termination              |                                      |      |
| Azimuth pattern                | Channels 2—3  | 58 degrees (half-power)              |      |
|                                | Channels 4—6  | 52 degrees (half-power)              |      |
| Elevation pattern              | 68 degrees (half-power)                             |                                      |      |
| Connector                      | 75Ω N female  |                                      |      |
| Weight                         | 19.7 lb (9 kg) maximum                              |                                      |      |
| Dimensions                     | 106.5 x 105.2 inches maximum<br>(2705 x 2672 mm)    |                                      |      |
| Wind load at 100 mph (161 kph) | Front   | 127 lbf (565 N)                      |      |
|                                | Wind survival rating*                               | 120 mph (193 kph)                    |      |
| Shipping dimensions            | 112 x 6 x 5 inches maximum<br>(2845 x 152 x 127 mm) |                                      |      |
| Shipping weight                | 25 lb (11.3 kg) maximum                             |                                      |      |
| Mounting                       | For masts of 2.375 inch (60 mm) OD.                 |                                      |      |
|                                | HDCA-5/HCM  | Horizontal polarization center-mount |      |
|                                | HDCA-5/HRM  | Horizontal polarization rear-mount   |      |

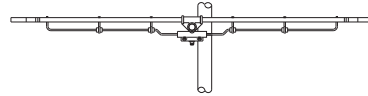
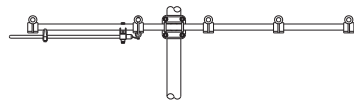
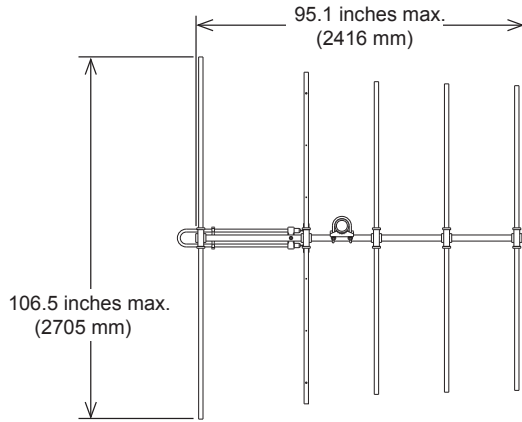
\*Mechanical design is based on environmental conditions as stipulated in TIA-222-G-2 (December 2009) and/or ETS 300 019-1-4 which include the static mechanical load imposed on an antenna by wind at maximum velocity. Contact KBU for further details.



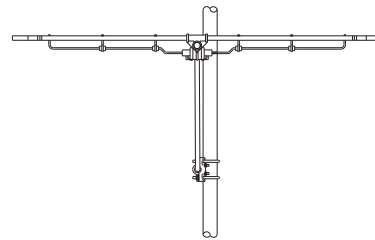
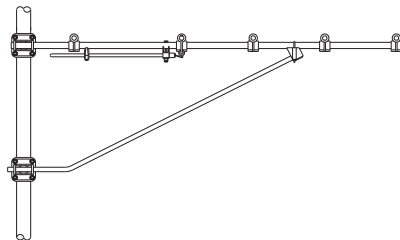
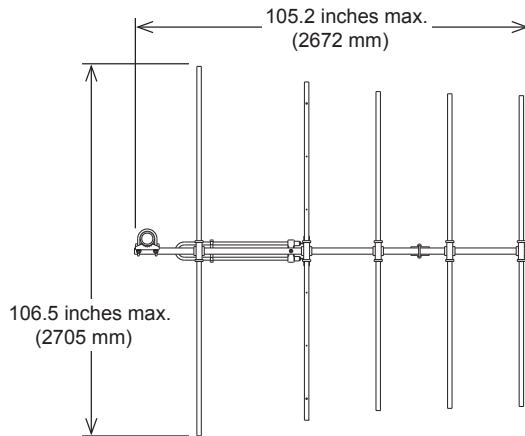
Azimuth pattern (E-plane - typical)



Elevation pattern (H-plane)



**HDCA-5/HCM**  
Horizontally polarized  
Channels 2—6



**HDCA-5/HRM**  
Horizontally polarized  
Channels 2—6

30075 subject to alteration