

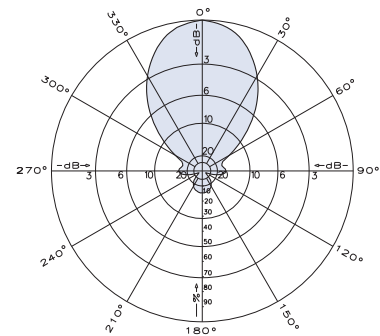
The Scala HDCA-5CP/RM is a ruggedly built yagi antenna, designed for professional FM transmit and receive applications.

Like all Scala antennas, the HDCA-5CP antennas are made of the finest materials using state of the art electrical and mechanical designs resulting in superior performance and long service life.

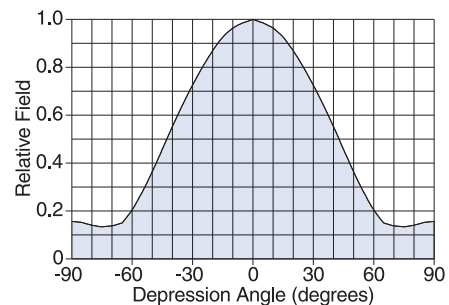
The HDCA-5CP antennas may be used stand alone or in stacked arrays for higher gain, increased side-lobe suppression, or custom azimuth patterns.



Specifications	
Frequency range	Any specified FM channel 88 to 108 MHz
Gain	4.5 dBd
Power gain	2.82
Impedance	50 or 75 ohms
VSWR	<1.5:1
Polarization	Circular
Front-to-back ratio	>14 dB
Maximum input power	250 watts 50Ω 100 watts 75Ω
Azimuth pattern	62 degrees (half-power)
Elevation pattern	62 degrees (half-power)
Connector	50 or 75Ω N female
Weight	34.5 lb (15.6 kg)
Dimensions	74.1 x 54 x 49 inches maximum (1882 x 1372 x 1245 mm)
Wind load at 100 mph (161 kph)	
Front	79 lbf (351 N)
Wind survival rating*	120 mph (193 kph)
Shipping dimensions	84 x 13 x 8 inches maximum (2134 x 330 x 203 mm)
Shipping weight	37.5 lb (17 kg)
Mounting	For masts of 2.375 inch (60 mm) OD.



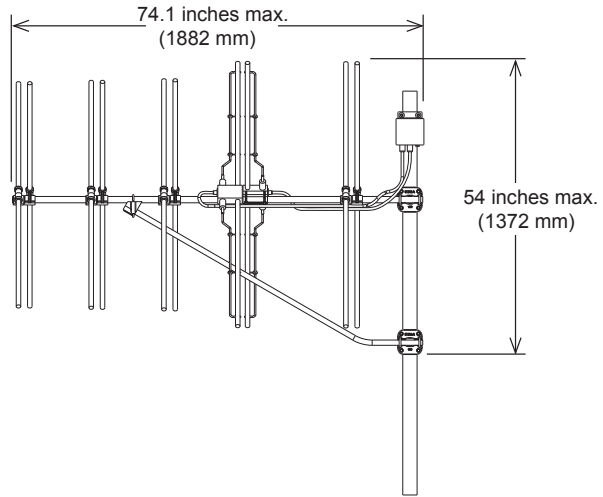
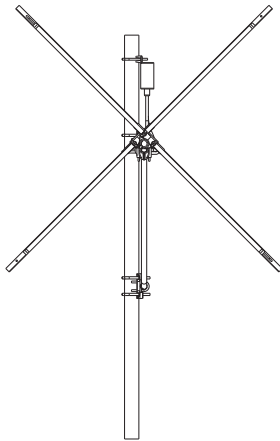
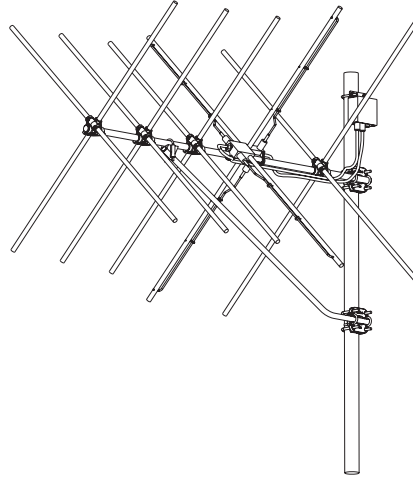
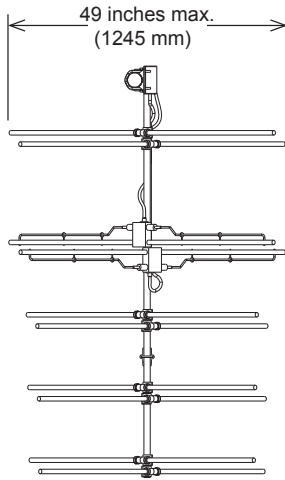
Azimuth pattern (E-plane - typical)



Elevation pattern

\*Mechanical design is based on environmental conditions as stipulated in TIA-222-G-2 (December 2009) and/or ETS 300 019-1-4 which include the static mechanical load imposed on an antenna by wind at maximum velocity. Contact KBU for further details.

30064 subject to alteration



30064 subject to alteration