

The Scala RA5-400B broadband yagi antenna is intended for use in professional fixed-station applications in the 406—512 MHz band.

It features:

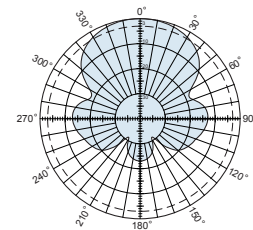
- Heavy-duty fiberglass radome to protect antenna.
- Balanced driven element for superior performance in icing conditions.
- Internal balun and dipole feedpoint sealed within the boom assembly.
- Anodized aluminum pipe and tubing.
- Heavy-duty aluminum castings and stainless steel hardware.
- Entire antenna at DC ground potential.
- Dual and quad arrays available.



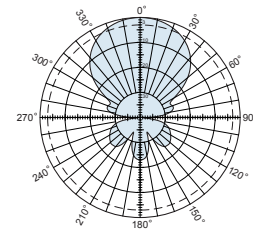
(Shown vertically polarized)

Specifications	
Frequency range	406—512 MHz in 6 MHz segments
Gain	10 dBd (12.15 dBi)
Impedance	50 ohms
VSWR	<1.3:1 ± 1 MHz <1.5:1 ± 3 MHz
Polarization	Horizontal or vertical
Front-to-back ratio	>23 dB
Maximum input power	250 watts (at 50°C)
H-plane beamwidth	66 degrees (half-power)
E-plane beamwidth	50 degrees (half-power)
Connector	N female
Weight	16.0 lb (7.3 kg)
Dimensions	26 x 17 x 12 inches (661 x 432 x 305 mm)
Wind load at 93 mph (150 kph)	
Side / Top / Rear	63 lbf / 16 lbf / 37 lbf (280 N) / (71 N) / (165 N)
Wind survival rating*	120 mph (193 kph)
Shipping dimensions	31 x 20 x 14.5 inches (787 x 508 x 368 mm)
Shipping weight	28.0 lb (12.7 kg)
Mounting	Mounting kits available for masts of 2.375 to 4.5 inch (60 to 114 mm) OD.

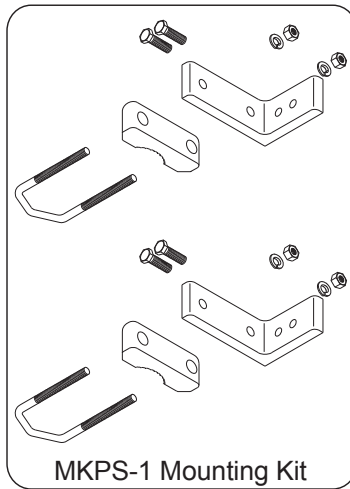
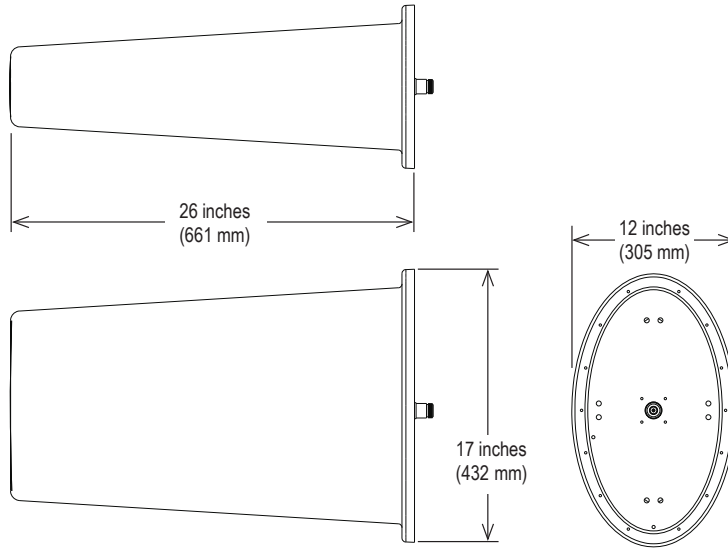
*Mechanical design is based on environmental conditions as stipulated in TIA-222-G-2 (December 2009) and/or ETS 300 019-1-4 which include the static mechanical load imposed on an antenna by wind at maximum velocity. Contact KBU for further details.



H-plane
Horizontal pattern — V-polarization
Vertical pattern — H-polarization



E-plane
Horizontal pattern — H-polarization
Vertical pattern — V-polarization



Mounting options

Model	Description
MKPS-1 (shown)	Mounting kit for 2.375 inch (60 mm) OD mast
MKPS-2	Mounting kit for 2.875 inch (73 mm) OD mast
MKPS-3	Mounting kit for 3.5 inch (89 mm) OD mast
MKPS-4	Mounting kit for 4 inch (102 mm) OD mast
MKPS-5	Mounting kit for 4.5 inch (114 mm) OD mast