

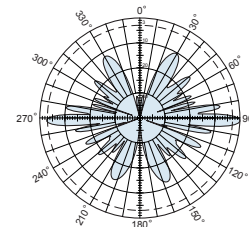
The Scala SL11-940/DT2 Paraslot® antenna is specifically designed as a central-station antenna for MAS systems operating in the 928—953 MHz band, featuring high gain and an offset omnidirectional pattern.

The H-polarized SL11-940/DT2 provides isolation from co-channel and adjacent-channel V-polarized signals.

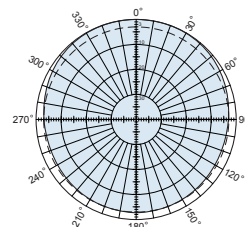
The Scala Paraslot design used in these antennas has earned a reputation for high performance and reliability in thousands of low-power UHF-TV broadcast transmission systems during the past 25 years.

Specifications	
Frequency range	928—953 MHz
Gain	11.4 dBd (13.55 dBi) (maximum)
Impedance	50 ohms
VSWR	<1.35:1
Polarization	Horizontal
Maximum input power	300 watts (at 50°C)
H-plane beamwidth	5.8 degrees (half-power)
Electrical downtilt	2 degrees
Connector	N female
Weight	25.0 lb (11.3 kg)
Height	156.25 inches (3969 mm)
Diameter	2.375 inches (60 mm)
Wind load at 93 mph (150 kph)	
Side	54 lbf (240 N)
Wind survival rating	100 mph (161 kph)
Shipping dimensions	167 x 7 x 6 inches (4242 x 178 x 152 mm)
Shipping weight	80 lb (36.3 kg)
Mounting	Mounting kits are available for attachment to a flat vertical surface or to masts with 2.375 to 3.5 inch (60 to 89 mm) OD. <i>KBU recommends that this antenna be secured from the top in addition to the standard bottom mounting. Contact KBU Engineering for assistance.</i>

PARASLOT is a registered trademark of Kathrein Broadcast USA

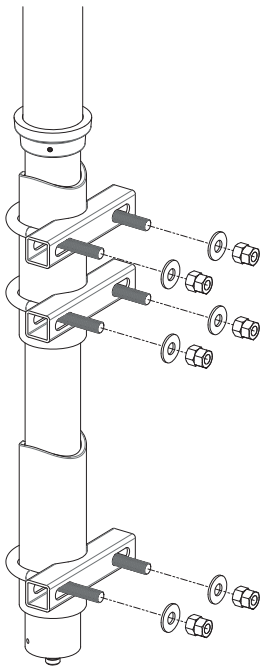


H-plane  
Vertical pattern  
H-polarization

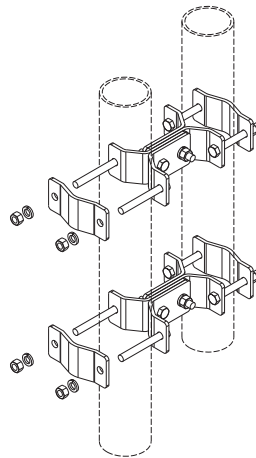


E-plane  
Horizontal pattern  
H-polarization

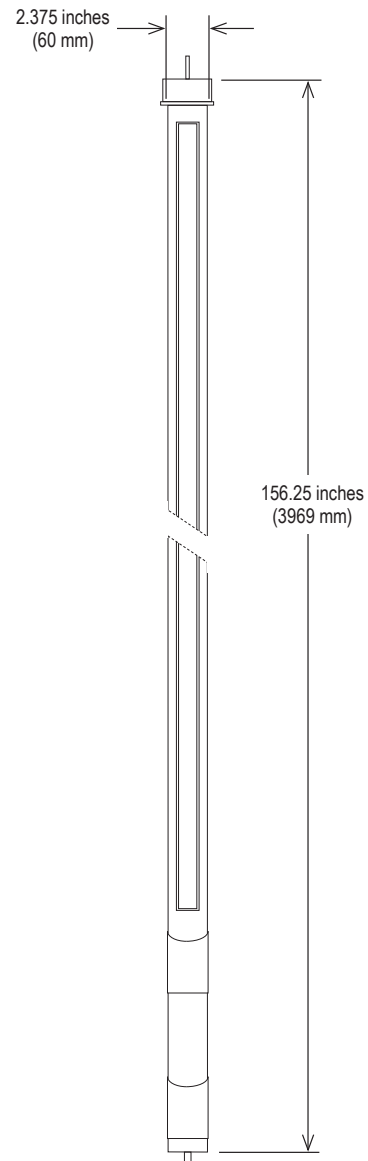




MKPS-13



MKPP-23



### Mounting options

Model	Description
MKPS-13	Mounting kit for mounting to a flat plate
MKPP-23	Mounting kit for 2.375 to 3.5 inch (60 to 89 mm) OD mast.
MKGK-1	Guy kit
MKSK-1	Spreader kit

### Order information

Model	Description
SL11-940/DT2	Antenna with N connector for spread spectrum systems