



A Kathrein Broadcast Brand

YA7-FML, YA7-FMH FM Yagi Antennas 88 to 108 MHz

The Scala YA7-FML and YA7-FMH are ruggedly built, yagi antennas, designed for professional FM transmit and receive applications.

Like all Scala antennas, the YA7-FML and YA7-FMH are made of the finest materials using state of the art electrical and mechanical designs resulting in superior performance and long service life.

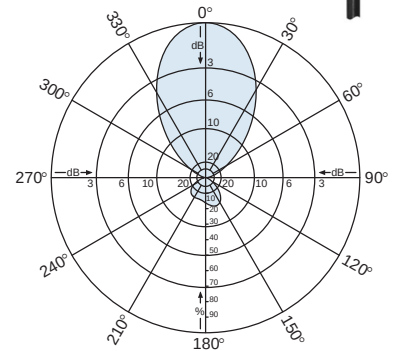
The YA7-FML and YA7-FMH may be used stand alone or in stacked arrays for higher gain, increased side-lobe suppression, or custom azimuth patterns.



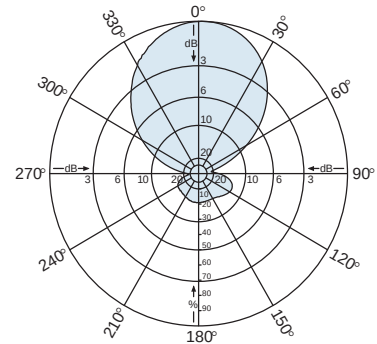
Specifications	
Frequency range	YA7-FML 88—98 MHz YA7-FMH 98—108 MHz
Gain	H-pol or V-pol 7 dBd Slant 45° pol* 4 dBd (H or V components)
Power gain	H-pol or V-pol 5.01 Slant 45° pol* 2.51 (H or V components)
Impedance	50 ohms
VSWR	<1.35:1
Polarization	Horizontal, Vertical or Slant 45°
Front-to-back ratio	>13 dB
Maximum input power	500 watts
HRP beamwidth	56 degrees (H-pol) 83 degrees (V-pol) 69 degrees (Slant 45° pol)
Connector	N female
Weight	22 lb (10 kg) maximum
Dimensions	85 x 66 x 5 inches (2159 x 1676 x 127 mm)
Wind load at 100 mph (160 kph)	
Front	85 lbf (378 N)
Wind survival rating*	100 mph (161 kph)
Shipping dimensions	87 x 13 x 8 inches (2210 x 330 x 203 mm)
Shipping weight	28.0 lb (12.7 kg) maximum
Mounting	For masts of 2.375 inch (60 mm) OD.
YA7-FML/HCM	Center-mount 88—98 MHz
YA7-FML/URM	Rear-mount 88—98 MHz
YA7-FMH/HCM	Center-mount 98—108 MHz
YA7-FMH/URM	Rear-mount 98—108 MHz

* Slant 45° polarization applies to URM models only.

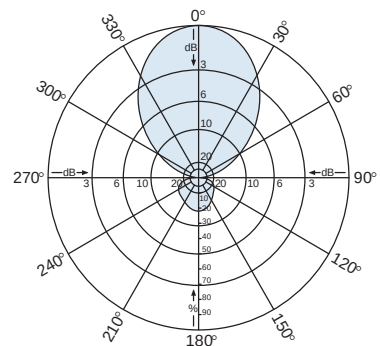
Mechanical design is based on environmental conditions as stipulated in TIA-222-G-2 (December 2009) and/or ETS 300 019-1-4 which include the static mechanical load imposed on an antenna by wind at maximum velocity. Contact KBU for further details.



HRP pattern
Horizontal polarization



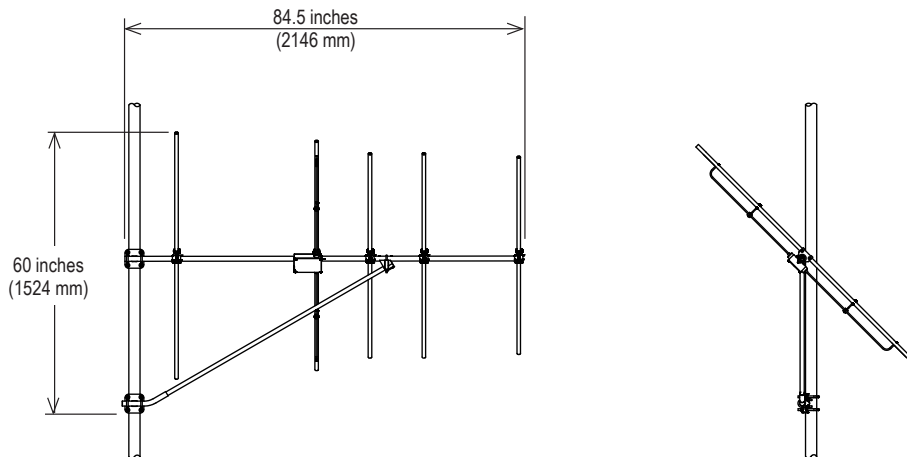
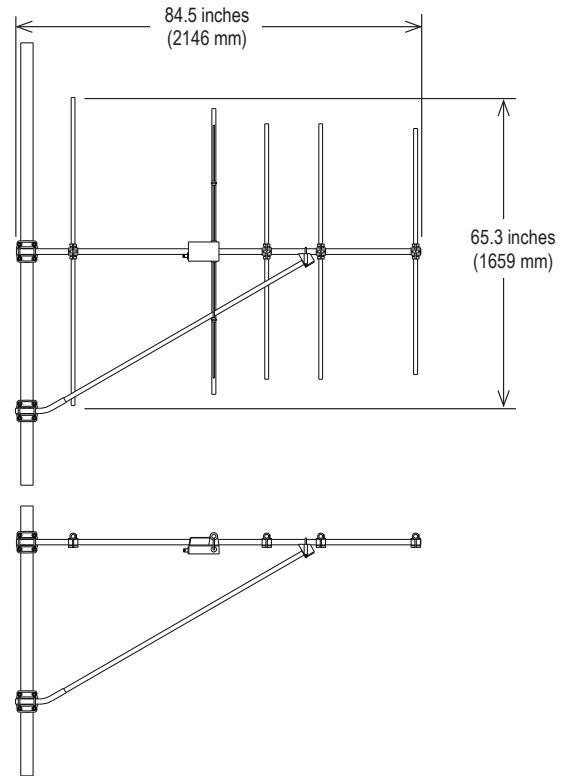
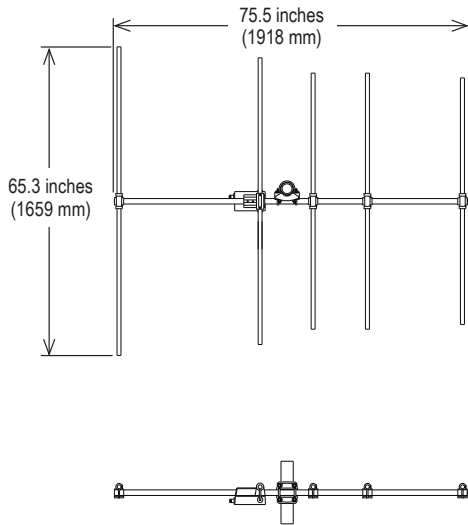
HRP pattern
Vertical polarization



HRP pattern
Slant 45° polarization

30066b subject to alteration

All specifications are subject to change without notice.
The latest specifications are available at www.kathrein-bca.com



Order information

Model	Description
YA7-FML/HCM	Center-mount 88—98 MHz antenna
YA7-FML/URM	Rear-mount 88—98 MHz antenna
YA7-FMH/HCM	Center-mount 98—108 MHz antenna
YA7-FMH/URM	Rear-mount 98—108 MHz antenna

30066b subject to alteration